

Ethernet DC/DC Converter EPC1008P & EPC1008H

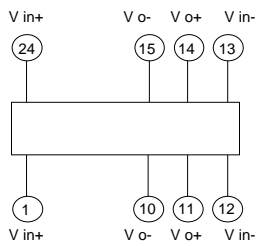
- Features**
- 75 % Typical efficiency at full load @ nominal input voltage
 - Unregulated Output
 - Input / Output Isolation
 - Input filter to reduce input ripple current
 - Designed for low common mode noise

Electrical Specifications

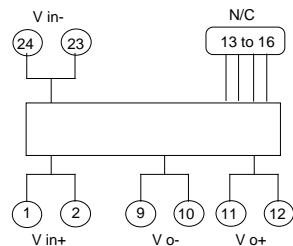
*Note : Package with G = Surface Mount Device, †† : E1,E1-G,E4,E4-G,E11,Q,Q1, N4-G

PCA P/N	STD PKG	Optional Packages	Input Voltage V	Output Voltage V	Output Current mA Max.	Output Ripple & Noise @ 20 MHz BW mV p-p	Isolation Vrms
EPC1008P	E	E-G*, F2,N,††	12.0	9 ± 5%	200 Max.	100 Max.	500
EPC1008H	E1	E1-G*,N,Q1	12.0	9 ± 5%	200 Max.	100 Max.	2000

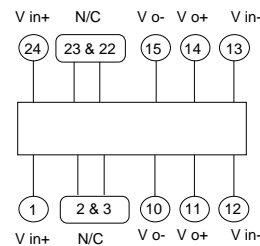
Pin Connections for E**



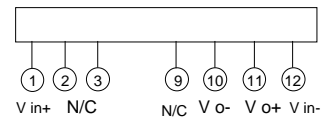
Pin Connections for E1



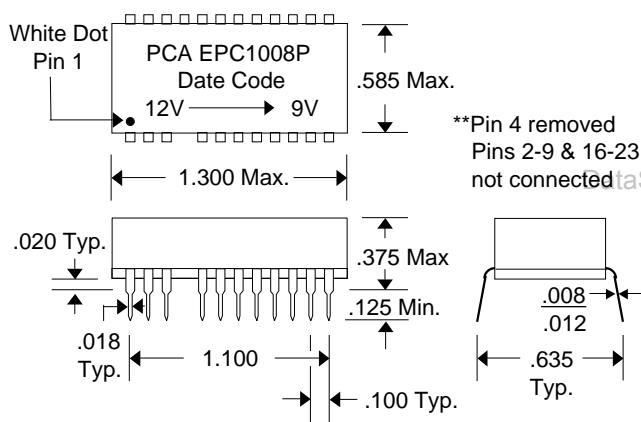
Pin Connections for E4



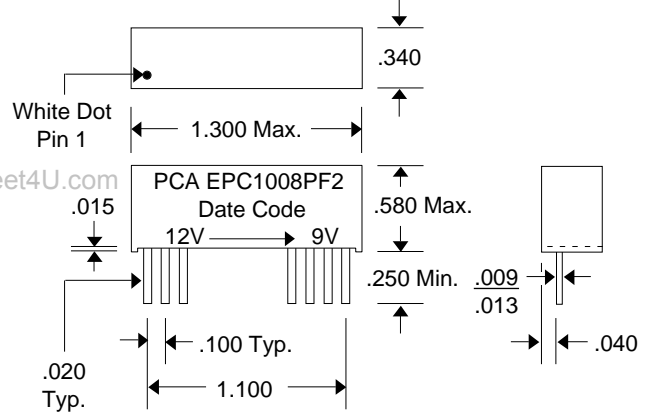
Pin Connections for F2



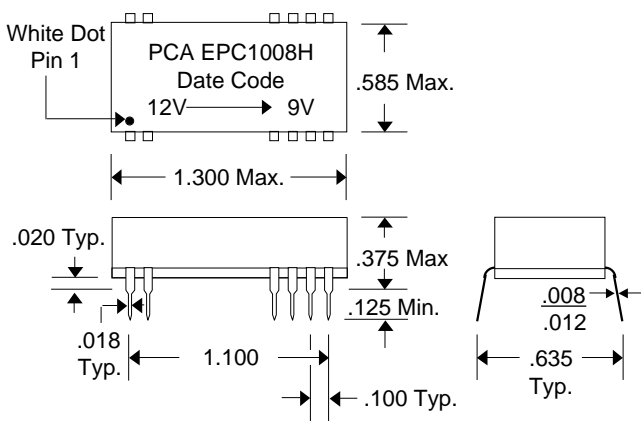
PACKAGE E



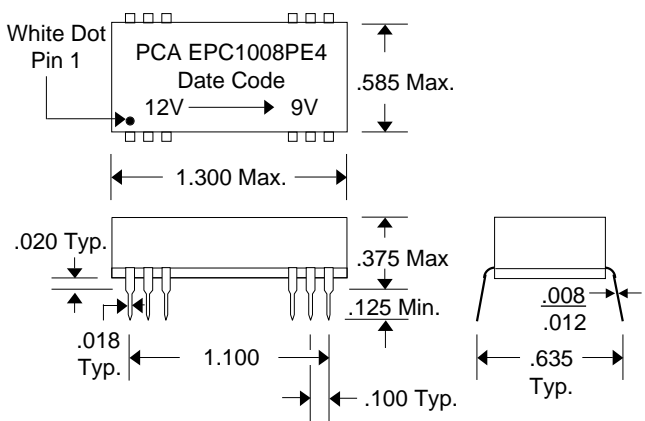
PACKAGE F2



PACKAGE E1



PACKAGE E4



DSC1008 Rev. A 9/8/95

QAF-CS06 Rev. B 9/9/94

Unless Otherwise Noted Dimensions in Inches
Tolerances:
Fractional = ± 1/32
.XX = ± .030 .XXX = ± .010



16799 SCHOENBORN ST. NORTH HILLS, CA 91343
TEL: (818) 892-0761
FAX: (818) 894-5791